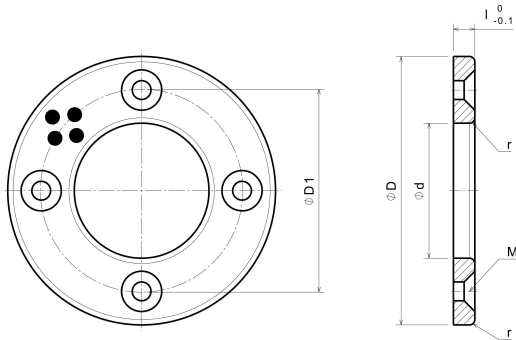


SOBW

Washer, self-lubricating



Product description:

Washer, self-lubricating

Article properties:

Base Material	Special Brass (SO#50SP2)
Self-lubricating	Yes
Lubricant	Graphite
Surface Pressure P	100 N/mm ²
Sliding speed v	30 m/min
P*v-value	200 N/mm ² x m/min
Operating temperature	-50°C / +200°C (max. 300°C)
Friction coefficient	0,07

Variants:

Articlenumber	Article name	Shaft diameter	Inner diameter d	Outer diameter D	D1	l	r	M (ISO 10642)
17100000	SOBW 10	10	10,2	30	20	3	0,5	2xM3
17120000	SOBW 12	12	12,2	40	28	3	0,5	2xM3
17130000	SOBW 13	13	13,2	40	28	3	0,5	2xM3
17140000	SOBW 14	14	14,2	40	28	3	0,5	2xM3
17150000	SOBW 15	15	15,2	50	35	3	1	2xM3
17160000	SOBW 16	16	16,2	50	35	3	1	2xM3
17180000	SOBW 18	18	18,2	50	35	3	1	2xM3
17200000	SOBW 20	20	20,2	50	35	5	1	2xM5
17250000	SOBW 25	25	25,2	55	40	5	1	2xM5
17300000	SOBW 30	30	30,2	60	45	5	1	2xM5
17350000	SOBW 35	35	35,2	70	50	5	1	2xM5
17400000	SOBW 40	40	40,2	80	60	7	2	2xM6
17450000	SOBW 45	45	45,3	90	67,5	7	2	2xM6
17500000	SOBW 50	50	50,3	100	75	8	2	4xM6
17550000	SOBW 55	55	55,3	110	85	8	2	4xM6
17600000	SOBW 60	60	60,3	120	90	8	2	4xM8
17650000	SOBW 65	65	65,3	125	95	8	2	4xM8
17700000	SOBW 70	70	70,3	130	100	10	2	4xM8
17750000	SOBW 75	75	75,3	140	110	10	2	4xM8
17800000	SOBW 80	80	80,3	150	120	10	2	4xM8
17900000	SOBW 90	90	90,5	170	140	10	2	4xM10

SOBW

Washer, self-lubricating



Articlenumber	Article name	Shaft diameter	Inner diameter d	Outer diameter D	D1	l	r	M (ISO 10642)
17991000	SOBW 100	100	100,5	190	160	10	2	4xM10
17991200	SOBW 120	120	120,5	200	175	10	2	4xM10