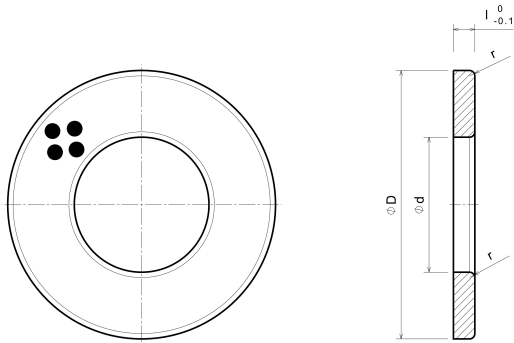


SOBWN

Thrust washer without mounting holes, self lubricating



Product discription:

Thrust washer without mounting holes, self lubricating

Article properties:

Base Material	Special Brass (SO#50SP2)
Self-lubricating	Yes
Lubricant	Graphite
Surface Pressure P	100 N/mm ²
Sliding speed v	30 m/min
P*v-value	200 N/mm ² x m/min
Operating temperature	-50°C / +200°C (max. 300°C)
Friction coefficient	0,07

Variants:

Articlenumber	Article name	Shaft diameter	Inner diameter d	Outer diameter D	l	r
17100001	SOBWN 10	10	10,2	30	3	0,5
17120001	SOBWN 12	12	12,2	40	3	0,5
17160001	SOBWN 16	16	16,2	50	3	1
17200001	SOBWN 20	20	20,2	50	5	1
17250001	SOBWN 25	25	25,2	55	5	1