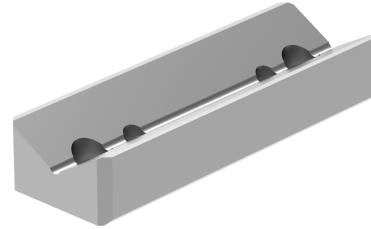
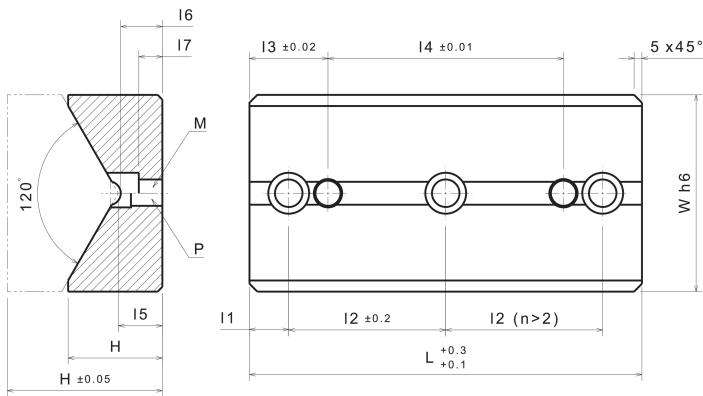


VPON

Guide Prism according to VDI 3357



Product description:

Guide Prism according to VDI 3357

Article properties:

Base Material	Steel, hardened
Sliding speed v	10 m/min
Self-lubricating	No
Surface Pressure P	30 N/mm ²
P*v-value	60 N/mm ² x m/min
Operating temperature	-50°C / +200°C

Variants:

Articlenumber	Article name	Width W	Length L	Total height H1	Height H	I1	I2	I3	I4	I5	I6	I7	M (ISO 4762)	P (ISO 8734)
23061810100	VPON 30-100-30	30	100	30	18	12,5	50	25	50	10	9	5	2xM6	2x6
23061815100	VPON 30-150-30	30	150	30	18	12,5	62,5	25	100	10	9	5	3xM6	2x6
23061820100	VPON 30-200-30	30	200	30	18	12,5	87,5	25	150	10	9	5	3xM6	2x6
23063515100	VPON 65-150-65	65	150	65	35	25	100	55	45	18	15	8	2xM12	2x12
23063520100	VPON 65-200-65	65	200	65	35	25	150	55	95	18	15	8	2xM12	2x12
23063525100	VPON 65-250-65	65	250	65	35	25	100	55	145	18	15	8	3xM12	2x12
23063530100	VPON 65-300-65	65	300	65	35	25	125	55	195	18	15	8	3xM12	2x12
230635301500	VPON 125-150-85	125	150	85	60	25	100	55	45	28	24	15	2xM16	2x16
230635301600	VPON 125-200-85	125	200	85	60	25	150	55	95	28	24	15	2xM16	2x16
230635301700	VPON 125-250-85	125	250	85	60	25	100	55	145	28	24	15	3xM16	2x16
230635301800	VPON 125-300-85	125	300	85	60	25	125	55	195	28	24	15	3xM16	2x16