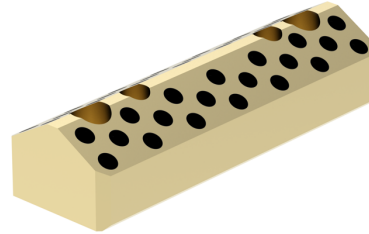
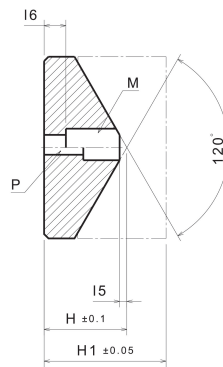
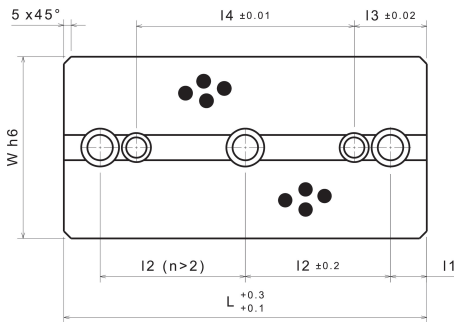


# VPUN

Guide Prism according to VDI 3357



## Product discription:

Guide Prism according to VDI 3357

## Article properties:

Sliding speed v	30 m/min
Base Material	Special Brass (SO#50SP2)
Self-lubricating	Yes
Lubricant	Graphite
Surface Pressure P	100 N/mm <sup>2</sup>
P*v-value	200 N/mm <sup>2</sup> x m/min
Operating temperature	-50°C / +200°C (max. 300°C)
Friction coefficient	0,07

## Variants:

Articlenumber	Article name	Width W	Length L	Total height H1	Height H	I1	I2	I3	I4	I5	I6	M (ISO 4762)	P (ISO 8734)
23064510100	VPUN 30-100-30	30	100	30	20	12,5	50	25	50	2	9	2xM6	2x8
23064515100	VPUN 30-150-30	30	150	30	20	12,5	62,5	25	100	2	9	3xM6	2x8
23064520100	VPUN 30-200-30	30	200	30	20	12,5	87,5	25	150	2	9	3xM6	2x8
23064715100	VPUN 65-150-65	65	150	65	47	25	100	55	45	3	20	2xM12	2x10
23064720100	VPUN 65-200-65	65	200	65	47	25	150	55	95	3	20	2xM12	2x10
23064725100	VPUN 65-250-65	65	250	65	47	25	100	55	145	3	20	3xM12	2x10
23064730100	VPUN 65-300-65	65	300	65	47	25	125	55	195	3	20	3xM12	2x10
230647301500	VPUN 125-150-85	125	150	85	57	25	100	55	45	5	15	2xM16	2x16
230647301600	VPUN 125-200-85	125	200	85	57	25	150	55	95	5	15	2xM16	2x16
230647301700	VPUN 125-250-85	125	250	85	57	25	100	55	145	5	15	3xM16	2x16
230647301800	VPUN 125-300-85	125	300	85	57	25	125	55	195	5	15	3xM16	2x16