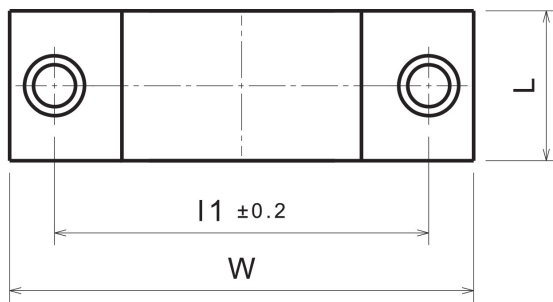
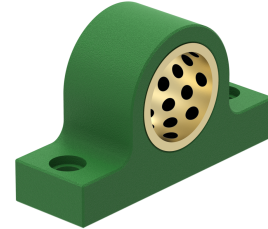
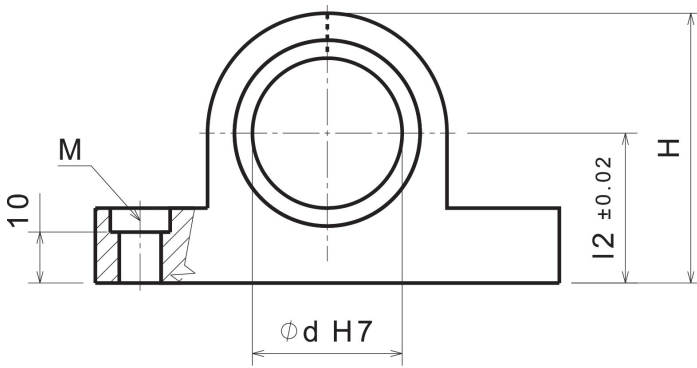


# BOG

Pillow block bearing, self lubricating



### Product description:

Pillow block bearing, self lubricating

### Article properties:

Base Material	Special Brass (SO#50SP2)
Self-lubricating	Yes
Lubricant	Graphite
Surface Pressure P	100 N/mm <sup>2</sup>
Sliding speed v	30 m/min
P*v-value	200 N/mm <sup>2</sup> x m/min
Operating temperature	-50°C / +200°C (max. 300°C)
Friction coefficient	0,07

### Variants:

Articlenumber	Article name	Inner diameter d	Width W	Length L	Height H	l1	l2	M (ISO 4762)
61400141	BOG-20	20	85	20	40	62	20	2xM6
61400142	BOG-25	25	100	25	50	75	25	2xM8
61400143	BOG-30	30	110	30	58	85	30	2xM8
61400144	BOG-40	40	130	40	75	105	40	2xM10
61400145	BOG-50	50	155	50	90	125	50	2xM12