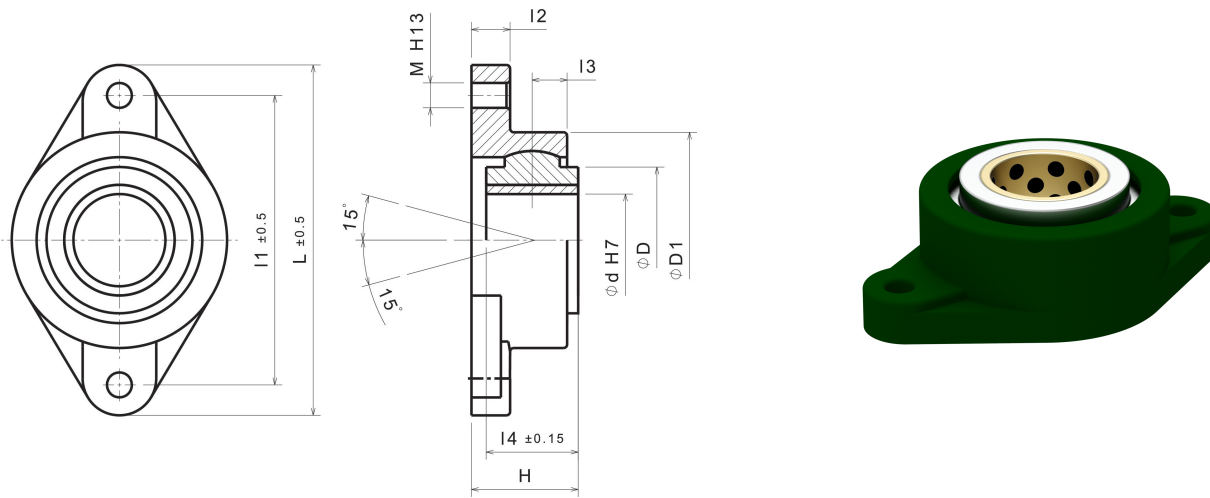


BOS-13

Spherical flanged bearing



Product description:

Spherical flanged bearing

Article properties:

Base Material	Special Brass (SO#50SP2)
Self-lubricating	Yes
Lubricant	Graphite
Surface Pressure P	100 N/mm ²
Sliding speed v	30 m/min
P*v-value	200 N/mm ² x m/min
Operating temperature	-50°C / +200°C (max. 300°C)
Friction coefficient	0,07

Variants:

Articlenumber	Article name	Inner diameter d	Outer diameter D	Length L	Height H	D1	I1	I2	I3	I4	M (DIN EN 20273)	Max. load (Housing) (kN)
63513010	BOS-13-10	10	33,3	103	23	54	81	8	6	15	2xM8	3,86
63513012	BOS-13-12	12	33,3	103	23	54	81	8	6	15	2xM8	3,86
63513015	BOS-13-15	15	33,3	103	23	54	81	8	6	15	2xM8	3,86
63513020	BOS-13-20	20	39,7	116	27	64	89	10	10	20	2xM10	5,9
63513025	BOS-13-25	25	39,7	116	30	64	89	10	10	25	2xM10	5,9
63513030	BOS-13-30	30	51	143	36	79	113	11	13	30	2xM12	8,18
63513035	BOS-13-35	35	60,3	159	43	95	130	14	16	35	2xM12	11
63513040	BOS-13-40	40	60,3	159	45	95	130	14	16	40	2xM12	11
63513045	BOS-13-45	45	73	175	51	108	144	16	16	45	2xM12	12
63513050	BOS-13-50	50	79,3	190	58	117	157	16	21	50	2xM12	14,5
63513055	BOS-13-55	55	83	216	62	137	184	17	22	55	2xM16	16
63513060	BOS-13-60	60	83	216	65	137	184	17	22	60	2xM16	16
63513080	BOS-13-80	80	108	259	81	171	214	22	29	80	2xM20	27
63513090	BOS-13-90	90	130	324	91	210	279	25	32	80	2xM20	30,5
63513100	BOS-13-100	100	130	324	91	210	279	25	32	80	2xM20	30,5