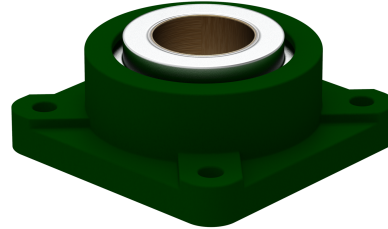
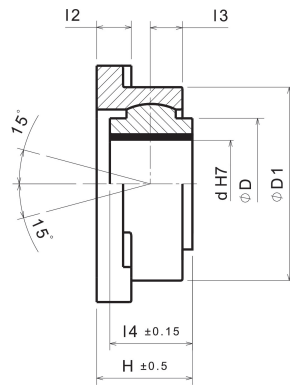
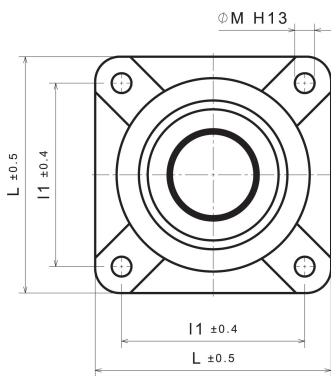


BOS-22

Spherical flanged bearing



Product description:

Spherical flanged bearing

Article properties:

Base Material	Steel
Self-lubricating	Yes
Lubricant	PTFE lubrication layer
Surface Pressure P	100 N/mm ²
Sliding speed v	15 m/min
P*v-value	150 N/mm ² x m/min
Operating temperature	-200°C / +280°C

Variants:

Articlenumber	Article name	Inner diameter d	Outer diameter D	Length L	Height H	D1	I1	I2	I3	I4	M (DIN EN 20273)	Max. load (Housing) (kN)
63522010	BOS-22-10	10	33,3	76	23	54	57	8	6	15	4xM8	3,86
63522012	BOS-22-12	12	33,3	76	23	54	57	8	6	15	4xM8	3,86
63522015	BOS-22-15	15	33,3	76	23	54	57	8	6	15	4xM8	3,86
63522020	BOS-22-20	20	39,7	89	27	64	64	10	10	20	4xM10	5,9
63522025	BOS-22-25	25	39,7	89	30	64	64	10	10	25	4xM10	5,9
63522030	BOS-22-30	30	51	110	36	79	79	11	13	30	4xM12	8,18
63522035	BOS-22-35	35	60,3	121	43	95	92	14	16	35	4xM12	11
63522040	BOS-22-40	40	60,3	121	45	95	92	14	16	40	4xM12	11
63522045	BOS-22-45	45	73	133	51	108	102	16	16	45	4xM12	12
63522050	BOS-22-50	50	79,3	143	58	117	111	16	21	50	4xM12	14,5
63522055	BOS-22-55	55	83	165	62	137	130	17	22	55	4xM16	16
63522060	BOS-22-60	60	83	165	65	137	130	17	22	60	4xM16	16
63522065	BOS-22-65	65	83	165	65	137	130	17	22	60	4xM16	16
63522070	BOS-22-70	70	89	175	71	143	143	19	25	65	4xM16	17,3
63522075	BOS-22-75	75	89	175	71	143	143	19	25	65	4xM16	17,3
63522080	BOS-22-80	80	108	197	81	171	152	22	29	80	4xM20	27
63522085	BOS-22-85	85	108	197	81	171	152	22	29	80	4xM20	27
63522090	BOS-22-90	90	130	241	91	210	197	25	32	80	4xM20	30,5
63522100	BOS-22-100	100	130	241	91	210	197	25	32	80	4xM20	30,5