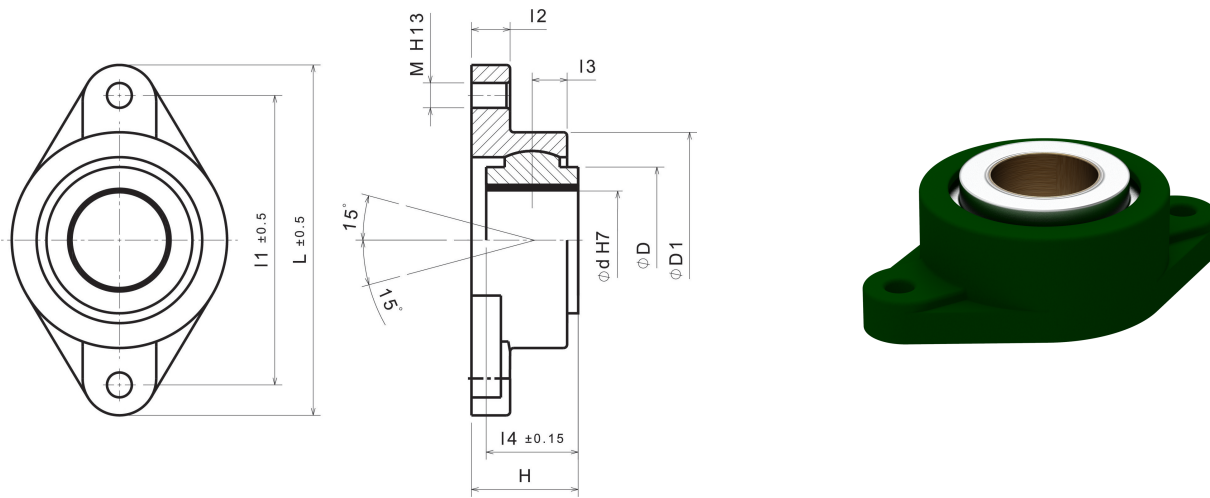


## BOS-23

Spherical pillow block bearing with LBM dry bush



### Product discription:

Spherical pillow block bearing with LBM dry bush

### Article properties:

Base Material	Steel
Self-lubricating	Yes
Lubricant	PTFE lubrication layer
Surface Pressure P	100 N/mm <sup>2</sup>
Sliding speed v	15 m/min
P*v-value	150 N/mm <sup>2</sup> x m/min
Operating temperature	-200°C / +280°C

### Variants:

Articlenumber	Article name	Inner diameter d	Outer diameter D	Length L	Height H	D1	I1	I2	I3	I4	M (DIN EN 20273)	Max. load (Housing) (kN)
63523010	BOS-23-10	10	33,3	103	23	54	81	8	6	15	2xM8	3,86
63523012	BOS-23-12	12	33,3	103	23	54	81	8	6	15	2xM8	3,86
63523015	BOS-23-15	15	33,3	103	23	54	81	8	6	15	2xM8	3,86
63523020	BOS-23-20	20	39,7	116	27	64	89	10	10	20	2xM10	5,9
63523025	BOS-23-25	25	39,7	116	30	64	89	10	10	25	2xM10	5,9
63523030	BOS-23-30	30	51	143	36	79	113	11	13	30	2xM12	8,18
63523035	BOS-23-35	35	60,3	159	43	95	130	14	16	35	2xM12	11
63523040	BOS-23-40	40	60,3	159	45	95	130	14	16	40	2xM12	11
63523045	BOS-23-45	45	73	175	51	108	144	16	16	45	2xM12	12
63523050	BOS-23-50	50	79,3	190	58	117	157	16	21	50	2xM12	14,05
63523055	BOS-23-55	55	83	216	62	137	184	17	22	55	2xM16	16
63523060	BOS-23-60	60	83	216	65	137	184	17	22	60	2xM16	16
63523065	BOS-23-65	65	83	216	65	137	184	17	22	60	2xM16	16
63523070	BOS-23-70	70	89	236	71	143	202	19	25	65	2xM16	17,03
63523075	BOS-23-75	75	89	236	71	143	202	19	25	65	2xM16	17,03
63523080	BOS-23-80	80	108	259	81	171	214	22	29	80	2xM20	27
63523085	BOS-23-85	85	108	259	81	171	214	22	29	80	2xM20	27
63523090	BOS-23-90	90	130	324	91	210	279	25	32	80	2xM20	30,05
63523100	BOS-23-100	100	130	324	91	210	279	25	32	80	2xM20	30,05