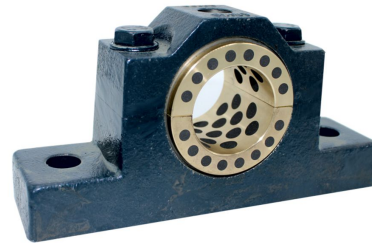
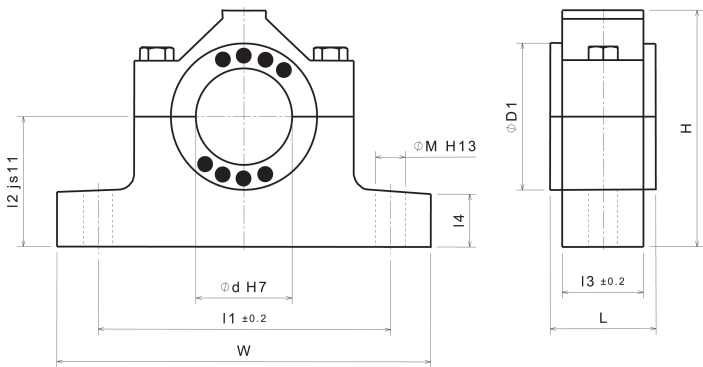


SLB-505

Pillow block bearing according to DIN 505



Product description:

Pillow block bearing according to DIN 505

Article properties:

Base Material	Special Brass (SO#50SP2)
Self-lubricating	Yes
Lubricant	Graphite
Surface Pressure P	100 N/mm ²
Sliding speed v	30 m/min
P*v-value	200 N/mm ² x m/min
Operating temperature	-50°C / +200°C (max. 300°C)
Friction coefficient	0,07

Variants:

Articlenumber	Article name	Inner diameter d	Width W	Length L	Height H	D1	I1	I2	I3	I4	M (DIN EN 20273)
635505025	SLB-505-25	25	165	45	85	45	125	40	40	22	2xM12
635505030	SLB-505-30	30	165	45	85	50	125	40	40	22	2xM12
635505035	SLB-505-35	35	180	50	100	55	140	50	45	25	2xM12
635505040	SLB-505-40	40	180	50	100	60	140	50	45	25	2xM12
635505045	SLB-505-45	45	210	55	120	65	160	60	50	30	2xM16
635505050	SLB-505-50	50	210	55	120	70	160	60	50	30	2xM16
635505055	SLB-505-55	55	225	60	140	75	175	70	55	35	2xM16
635505060	SLB-505-60	60	225	60	140	80	175	70	55	35	2xM16
635505065	SLB-505-65	65	270	65	160	95	210	80	60	40	2xM20
635505070	SLB-505-70	70	270	65	160	100	210	80	60	40	2xM20
635505075	SLB-505-75	75	290	75	180	110	230	90	70	45	2xM20
635505080	SLB-505-80	80	290	75	180	110	230	90	70	45	2xM20
635505090	SLB-505-90	90	330	85	200	120	265	100	80	50	2xM24
635505100	SLB-505-100	100	355	95	220	130	290	110	90	55	2xM24
635505110	SLB-505-110	110	355	95	220	140	290	110	90	55	2xM24
635505120	SLB-505-120	120	420	110	260	155	340	130	100	60	2xM30
635505125	SLB-505-125	125	420	110	260	160	340	130	100	60	2xM30
635505130	SLB-505-130	130	420	110	260	165	340	130	100	60	2xM30
635505140	SLB-505-140	140	440	125	300	175	360	150	120	65	2xM30
635505150	SLB-505-150	150	440	125	300	185	360	150	120	65	2xM30