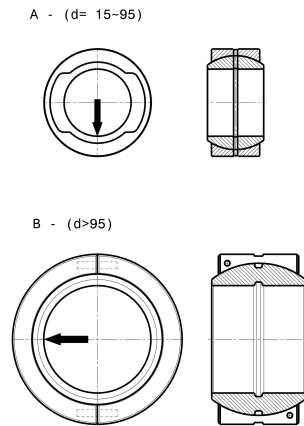
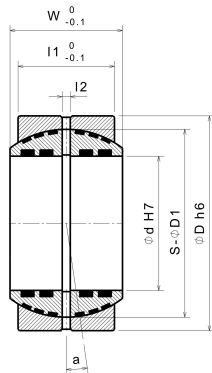


SOBS

Spherical bearing, self lubricating



Product description:

Spherical bearing, self lubricating

Article properties:

Base Material	Special Brass (SO#50SP2)
Self-lubricating	Yes
Lubricant	Graphite
Surface Pressure P	100 N/mm ²
Sliding speed v	30 m/min
P*v-value	200 N/mm ² x m/min
Operating temperature	-50°C / +200°C (max. 300°C)
Friction coefficient	0,07

Variants:

Articlenumber	Article name	Inner diameter d	Outer diameter D	Width W	Angle a	S-øD1	I1	I2	Permitted radial load Rd (kN)	Permitted axial load Td (kN)	Rd x V permitted (kN x m/min)	Type
11320150	SOBS 015	15	26	12	8°	22	9	4	6,5	0,5	6,5	A
11320200	SOBS 020	20	32	16	4°	28	14	4	12,6	1,4	12,6	A
11320250	SOBS 025	25	42	21	5°	36	18	4	21,8	2,5	21,8	A
11320300	SOBS 030	30	50	27	6°	44	23	4	32	3,5	32	A
11320350	SOBS 035	35	55	30	5°	49	26	4	43,7	4,8	43,7	A
11320400	SOBS 040	40	62	33	6°	55	28	4	54,7	5,7	54,7	A
11320450	SOBS 045	45	72	36	5°	62	31	4	69,7	7,2	69,7	A
11320500	SOBS 050	50	80	42	5°	70	36	4	92,4	10	92,4	A
11320550	SOBS 055	55	90	47	5°	80	40	4	117	13	117	A
11320600	SOBS 060	60	100	53	6°	90	45	4	143	16	143	A
11320650	SOBS 065	65	105	55	5°	94	47	4	162	18	162	A
11320700	SOBS 070	70	110	58	5°	99	50	4	181	20	181	A
11320750	SOBS 075	75	120	64	5°	105	55	4	217	25	217	A
11320800	SOBS 080	80	130	70	6°	115	60	4	254	30	254	A
11320850	SOBS 085	85	135	74	6°	120	63	4	283	33	283	A
11320900	SOBS 090	90	140	76	6°	125	65	4	313	36	313	A
11320950	SOBS 095	95	150	82	6°	135	70	4	428	50	428	A
11321000	SOBS 100	100	160	88	6°	145	75	6	544	64	544	B
11321100	SOBS 110	110	170	93	5°	155	80	6	642	73	642	B
11321150	SOBS 115	115	180	98	5°	165	85	6	719	83	719	B

SOBS

Spherical bearing, self lubricating



Articlenumber	Article name	Inner diameter d	Outer diameter D	Width W	Angle a	S- ϕ D1	l1	l2	Permitted radial load Rd (kN)	Permitted axial load Td (kN)	Rd x V permitted (kN x m/min)	Type
11321200	SOBS 120	120	190	105	6°	170	90	6	797	94	797	B
11321300	SOBS 130	130	200	110	5°	180	95	6	880	105	880	B
11321400	SOBS 140	140	210	90	7°	180	70	6	668	56	668	B
11321500	SOBS 150	150	220	120	5°	200	105	6	1135	129	1135	B
11321600	SOBS 160	160	230	105	8°	200	80	6	891	73	891	B
11321800	SOBS 180	180	260	105	6°	225	80	6	1002	74	1002	B
11322000	SOBS 200	200	290	130	7°	250	100	6	1434	117	1434	B
11322200	SOBS 220	220	320	135	8°	275	100	9	1577	118	1574	B
11322400	SOBS 240	240	340	140	8°	300	100	9	1720	118	1720	B