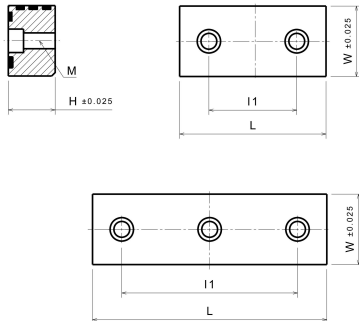


## 2GLF

Plate with 2 sliding surfaces, self lubricating



### Product discription:

Plate with 2 sliding surfaces, self lubricating

### Article properties:

Sliding speed v	30 m/min
Base Material	Special Brass (SO#50SP2)
Self-lubricating	Yes
Lubricant	Graphite
Surface Pressure P	100 N/mm <sup>2</sup>
P*v-value	200 N/mm <sup>2</sup> x m/min
Operating temperature	-50°C / +200°C (max. 300°C)
Friction coefficient	0,07

### Variants:

Articlenumber	Article name	Width W	Length L	Height H	I1	M (ISO 4762)
22061230	2GLF 60-125-30	60	125	30	75	2xM12
22061530	2GLF 60-150-30	60	150	30	100	2xM12
22062030	2GLF 60-200-30	60	200	30	150	3xM12
22061240	2GLF 60-125-40	60	125	40	75	2xM12
22061540	2GLF 60-150-40	60	150	40	100	2xM12
22062040	2GLF 60-200-40	60	200	40	150	3xM12