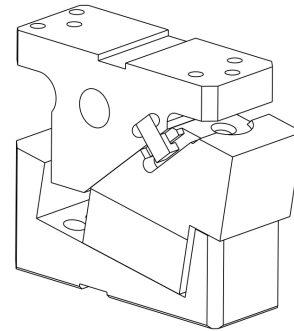
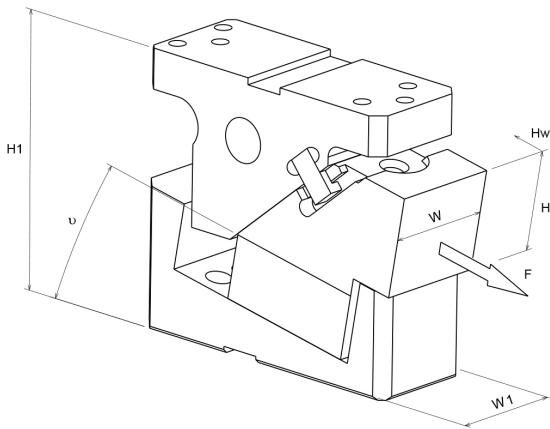


## CMSD

Low-cost CAM-Unit for punching operations, narrow design with easy installation and maintenance



### Product description:

Low-cost CAM-Unit for punching operations, narrow design with easy installation and maintenance

### Article properties:

CAM-Type Die-mounted CAM

### Variants:

Articlenumber	Article name	Cam Width W1	Shutheight H1	Working Angle (°)	Work Area Width W	Work Area Height H	Stroke Hw	Working Force F (kN)	Returnforce Fr (kN)	Weight (kg)
CMSD52-000001	CMSD52-00-55	52	215	0	52	75	55	19,6	-	14,2
CMSD52-000065	CMSD52-05-55	52	255	5	52	75	55	19,6	-	18,5
CMSD52-000129	CMSD52-10-55	52	255	10	52	75	55	19,6	-	19,4
CMSD52-000193	CMSD52-15-55	52	255	15	52	75	55	19,6	-	20
CMSD52-000257	CMSD52-20-55	52	255	20	52	75	55	19,6	-	19,5
CMSD90-000321	CMSD90-00-55	90	220	0	90	82	55	38,2	-	24,9
CMSD90-000417	CMSD90-05-55	90	220	5	90	82	55	38,2	-	25,9
CMSD90-000513	CMSD90-10-55	90	220	10	90	82	55	38,2	-	27,3
CMSD90-000609	CMSD90-15-55	90	225	15	90	82	55	38,2	-	29,3