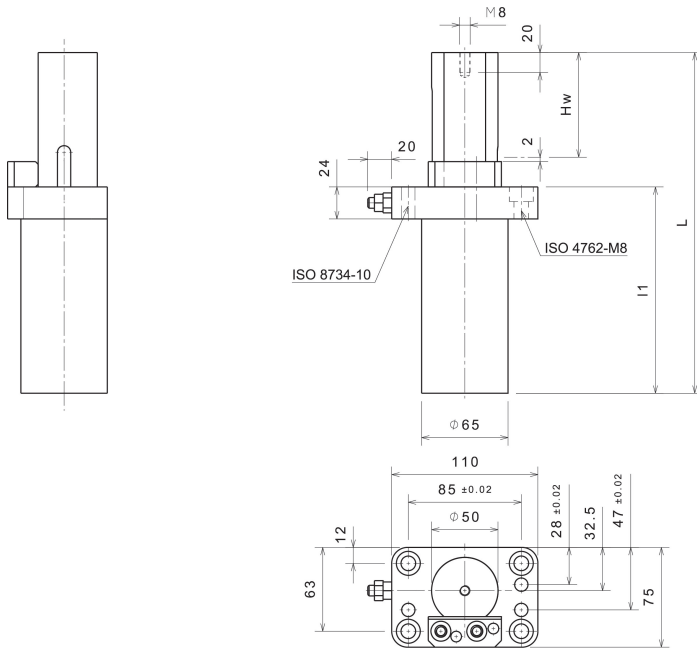


PSU

Lifter for sheet metal, maintenance free



Product description:

Lifter for sheet metal, maintenance free,
Spring element: G (gas pressure spring) / S (coil spring)

Article properties:

Base Material	Special Brass (SO#50SP2)
Self-lubricating	Yes
Lubricant	Graphite
Surface Pressure P	100 N/mm ²
Sliding speed v	30 m/min
P*v-value	200 N/mm ² x m/min
Operating temperature	-50°C / +200°C (max. 300°C)
Friction coefficient	0,07

Variants:

Articlenumber	Article name	Length L	Stroke Hw	l1	Starting Force (N)	Maximum Force (N)	Spring
75200050050	PSU 050-G-50	196	50	125	500	650	G
75200050100	PSU 050-G-100	196	50	125	1000	1350	G
75200050150	PSU 050-G-150	196	50	125	1500	2000	G
75200050200	PSU 050-G-200	196	50	125	2000	2600	G
75200051	PSU 050-S-10	196	50	125	100	850	S
75200080050	PSU 080-G-50	256	80	155	500	650	G
75200080100	PSU 080-G-100	256	80	155	1000	1350	G
75200080150	PSU 080-G-150	256	80	155	1500	2000	G
75200080200	PSU 080-G-200	256	80	155	2000	2600	G
75200081	PSU 080-S-46	256	80	155	460	1950	S
75200100050	PSU 100-G-50	296	100	175	500	650	G
75200100100	PSU 100-G-100	296	100	175	1000	1350	G
75200100150	PSU 100-G-150	296	100	175	1500	2000	G
75200100200	PSU 100-G-200	296	100	175	2000	2600	G
75200101	PSU 100-S-15	296	100	175	150	1900	S