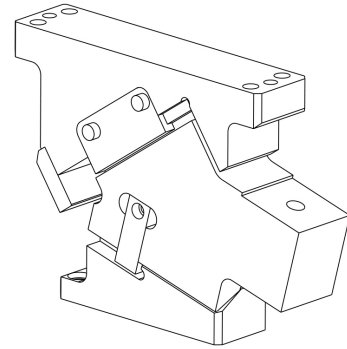
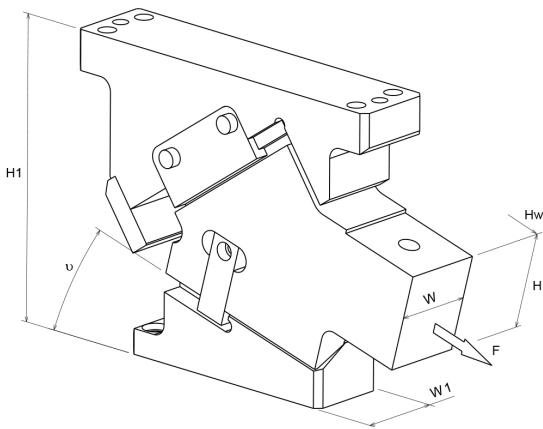


# SULNC

Elongated CAM-Unit for hole punching operations



## Product description:

Elongated CAM-Unit for hole punching operations

## Article properties:

CAM-Type

Aerial CAM

## Variants:

Articlenumber	Article name	Cam Width W1	Shutheight H1	Working Angle (°)	Work Area Width W	Work Area Height H	Stroke Hw	Working Force F (kN)	Returnforce Fr (kN)	Weight (kg)
SULNC65-010373	SULNC65-00	65	240	0	65	80	30,2	14,7	2,9	33,7
SULNC65-010405	SULNC65-05	65	240	5	65	80	31,9	14,7	2,9	33,2
SULNC65-010437	SULNC65-10	65	240	10	65	80	35	14,7	2,9	32,7
SULNC65-010469	SULNC65-15	65	240	15	65	80	31,4	14,7	2,9	32,1
SULNC65-010501	SULNC65-20	65	240	20	65	80	32,3	14,7	2,8	32,1
SULNC65-010533	SULNC65-25	65	240	25	65	80	35	14,7	2,8	31,8