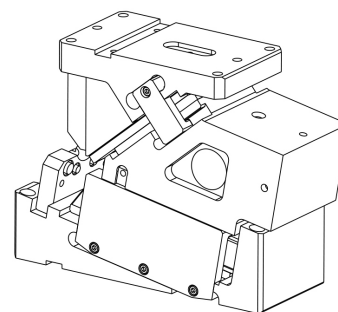
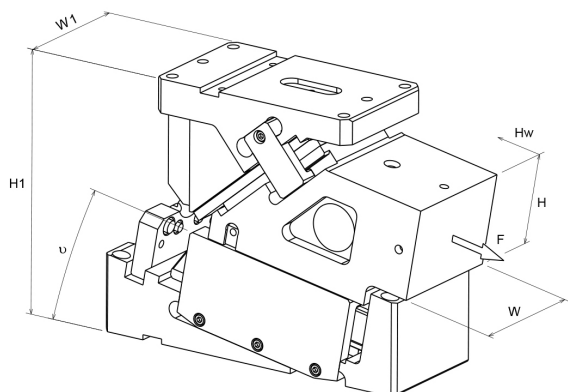


SVSC

CAM-Unit according to VDI/BAK regulations for hole punching and bending operations



Product description:

CAM-Unit according to VDI/BAK regulations for hole punching and bending operations

Article properties:

CAM-Type

Die-mounted CAM

Variants:

Articlenumber	Article name	Cam Width W1	Shutheight H1	Working Angle (°)	Work Area Width W	Work Area Height H	Stroke Hw	Working Force F (kN)	Returnforce Fr (kN)	Weight (kg)
SVSC50-217156	SVSC50-00	50	250	0	50	75	55	29,4	-	7,9
SVSC50-217157	SVSC50-05	50	250	5	50	75	55	29,4	-	7,9
SVSC50-215828	SVSC50-10	50	250	10	50	75	55	29,4	-	7,9
SVSC50-217158	SVSC50-15	50	250	15	50	75	55	29,4	-	7,9
SVSC50-217159	SVSC50-20	50	250	20	50	75	55	29,4	-	7,9
SVSC85-217160	SVSC85-00	85	290	0	85	85	70	58,8	-	18,8
SVSC85-217161	SVSC85-05	85	290	5	85	85	70	58,8	-	18,8
SVSC85-217162	SVSC85-10	85	290	10	85	85	70	58,8	-	18,8
SVSC85-217163	SVSC85-15	85	290	15	85	85	70	58,8	-	18,8
SVSC85-217164	SVSC85-20	85	290	20	85	85	70	58,8	-	18,8
SVSC110-217165	SVSC110-00	110	310	0	110	110	70	117,7	-	28,7
SVSC110-217166	SVSC110-05	110	310	5	110	110	70	117,7	-	28,7
SVSC110-217167	SVSC110-10	110	310	10	110	110	70	117,7	-	28,7
SVSC110-217168	SVSC110-15	110	310	15	110	110	70	117,7	-	28,7
SVSC110-217169	SVSC110-20	110	310	20	110	110	70	117,7	-	28,7
SVSC150-217170	SVSC150-00	150	310	0	150	110	70	166,7	-	40,8
SVSC150-217171	SVSC150-05	150	310	5	150	110	70	166,7	-	40,8
SVSC150-217172	SVSC150-10	150	310	10	150	110	70	166,7	-	40,8
SVSC150-217173	SVSC150-15	150	310	15	150	110	70	166,7	-	40,8
SVSC150-217174	SVSC150-20	150	310	20	150	110	70	166,7	-	40,8
SVSC220-217175	SVSC220-00	220	310	0	220	110	70	245,2	-	60,3
SVSC220-217176	SVSC220-05	220	310	5	220	110	70	245,2	-	60,3
SVSC220-215824	SVSC220-10	220	310	10	220	110	70	245,2	-	60,3
SVSC220-217177	SVSC220-15	220	310	15	220	110	70	245,2	-	60,3
SVSC220-217178	SVSC220-20	220	310	20	220	110	70	245,2	-	60,3
SVSC330-217179	SVSC330-00	330	380	0	330	180	80	343,2	-	117

SVSC

CAM-Unit according to VDI/BAK regulations for hole punching and bending operations



Articlenumber	Article name	Cam Width W1	Shutheight H1	Working Angle (°)	Work Area Width W	Work Area Height H	Stroke Hw	Working Force F (kN)	Returnforce Fr (kN)	Weight (kg)
SVSC330-217180	SVSC330-05	330	380	5	330	180	80	343,2	-	117
SVSC330-217181	SVSC330-10	330	380	10	330	180	80	343,2	-	117
SVSC330-217182	SVSC330-15	330	380	15	330	180	80	343,2	-	117
SVSC330-217183	SVSC330-20	330	380	20	330	180	80	343,2	-	117
SVSC400-217184	SVSC400-00	400	400	0	400	180	80	431,5	-	151
SVSC400-217185	SVSC400-05	400	400	5	400	180	80	431,5	-	151
SVSC400-217186	SVSC400-10	400	400	10	400	180	80	431,5	-	151
SVSC400-217187	SVSC400-15	400	400	15	400	180	80	431,5	-	151
SVSC400-217188	SVSC400-20	400	400	20	400	180	80	431,5	-	151