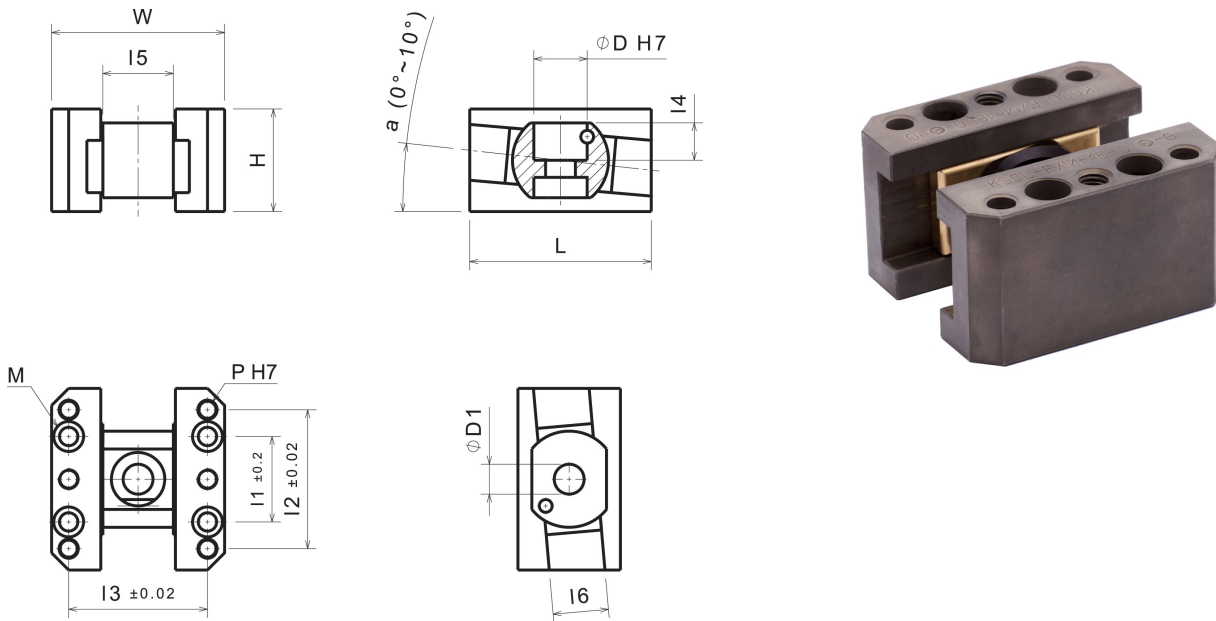


KOCU-F

Inclined ejector unit with angled sliding surface



Product discription:

Inclined ejector unit with angled sliding surface

Article properties:

Self-lubricating	Yes
Lubricant	Graphite

Variants:

Articlenumber	Article name	Bolt diameter D	Width W	Length L	Height H	Angle a	I1	I2	I3	I4	I5	I6	M (ISO 4762)	P (ISO 8734)
260000085	KOCU-F 8-0	8	41	44	24	0	12	25	33	8	12	13	4xM4	4xØ4
2600000851	KOCU-F 8-1	8	41	44	24	1	12	25	33	8	12	13	4xM4	4xØ4
2600000852	KOCU-F 8-2	8	41	44	24	2	12	25	33	8	12	13	4xM4	4xØ4
2600000853	KOCU-F 8-3	8	41	44	24	3	12	25	33	8	12	13	4xM4	4xØ4
2600000854	KOCU-F 8-4	8	41	44	24	4	12	25	33	8	12	13	4xM4	4xØ4
2600000855	KOCU-F 8-5	8	41	44	24	5	12	25	33	8	12	13	4xM4	4xØ4
2600000856	KOCU-F 8-6	8	41	44	24	6	12	25	33	8	12	13	4xM4	4xØ4
2600000857	KOCU-F 8-7	8	41	44	24	7	12	25	33	8	12	13	4xM4	4xØ4
2600000858	KOCU-F 8-8	8	41	44	24	8	12	25	33	8	12	13	4xM4	4xØ4
2600000859	KOCU-F 8-9	8	41	44	24	9	12	25	33	8	12	13	4xM4	4xØ4
26000008510	KOCU-F 8-10	8	41	44	24	10	12	25	33	8	12	13	4xM4	4xØ4
260000105	KOCU-F 10-0	10	47	50	28	0	16	30	38	8	14	17	4xM5	4xØ5
2600001051	KOCU-F 10-1	10	47	50	28	1	16	30	38	8	14	17	4xM5	4xØ5
2600001052	KOCU-F 10-2	10	47	50	28	2	16	30	38	8	14	17	4xM5	4xØ5
2600001053	KOCU-F 10-3	10	47	50	28	3	16	30	38	8	14	17	4xM5	4xØ5
2600001054	KOCU-F 10-4	10	47	50	28	4	16	30	38	8	14	17	4xM5	4xØ5
2600001055	KOCU-F 10-5	10	47	50	28	5	16	30	38	8	14	17	4xM5	4xØ5
2600001056	KOCU-F 10-6	10	47	50	28	6	16	30	38	8	14	17	4xM5	4xØ5
2600001057	KOCU-F 10-7	10	47	50	28	7	16	30	38	8	14	17	4xM5	4xØ5
2600001058	KOCU-F 10-8	10	47	50	28	8	16	30	38	8	14	17	4xM5	4xØ5
2600001059	KOCU-F 10-9	10	47	50	28	9	16	30	38	8	14	17	4xM5	4xØ5
26000010510	KOCU-F 10-10	10	47	50	28	10	16	30	38	8	14	17	4xM5	4xØ5
260000125	KOCU-F 12-0	12	53	60	36	0	20	40	42	10	17	20	4xM8	4xØ6
2600001251	KOCU-F 12-1	12	53	60	36	1	20	40	42	10	17	20	4xM8	4xØ6

KOCU-F

Inclined ejector unit with angeled sliding surface



Articlenumber	Article name	Bolt diameter D	Width W	Length L	Height H	Angle a	I1	I2	I3	I4	I5	I6	M (ISO 4762)	P (ISO 8734)
2600001252	KOCU-F 12-2	12	53	60	36	2	20	40	42	10	17	20	4xM8	4xø6
2600001253	KOCU-F 12-3	12	53	60	36	3	20	40	42	10	17	20	4xM8	4xø6
2600001254	KOCU-F 12-4	12	53	60	36	4	20	40	42	10	17	20	4xM8	4xø6
2600001255	KOCU-F 12-5	12	53	60	36	5	20	40	42	10	17	20	4xM8	4xø6
2600001256	KOCU-F 12-6	12	53	60	36	6	20	40	42	10	17	20	4xM8	4xø6
2600001257	KOCU-F 12-7	12	53	60	36	7	20	40	42	10	17	20	4xM8	4xø6
2600001258	KOCU-F 12-8	12	53	60	36	8	20	40	42	10	17	20	4xM8	4xø6
2600001259	KOCU-F 12-9	12	53	60	36	9	20	40	42	10	17	20	4xM8	4xø6
26000012510	KOCU-F 12-10	12	53	60	36	10	20	40	42	10	17	20	4xM8	4xø6
260000165	KOCU-F 16-0	16	64	70	40	0	25	50	50	12	21	24	4xM8	4xø6
2600001651	KOCU-F 16-1	16	64	70	40	1	25	50	50	12	21	24	4xM8	4xø6
2600001652	KOCU-F 16-2	16	64	70	40	2	25	50	50	12	21	24	4xM8	4xø6
2600001653	KOCU-F 16-3	16	64	70	40	3	25	50	50	12	21	24	4xM8	4xø6
2600001654	KOCU-F 16-4	16	64	70	40	4	25	50	50	12	21	24	4xM8	4xø6
2600001655	KOCU-F 16-5	16	64	70	40	5	25	50	50	12	21	24	4xM8	4xø6
2600001656	KOCU-F 16-6	16	64	70	40	6	25	50	50	12	21	24	4xM8	4xø6
2600001657	KOCU-F 16-7	16	64	70	40	7	25	50	50	12	21	24	4xM8	4xø6
2600001658	KOCU-F 16-8	16	64	70	40	8	25	50	50	12	21	24	4xM8	4xø6
2600001659	KOCU-F 16-9	16	64	70	40	9	25	50	50	12	21	24	4xM8	4xø6
26000016510	KOCU-F 16-10	16	64	70	40	10	25	50	50	12	21	24	4xM8	4xø6
260000205	KOCU-F 20-0	20	76	75	46	0	30	55	60	15	28	24	4xM10	4xø8
2600002051	KOCU-F 20-1	20	76	75	46	1	30	55	60	15	28	24	4xM10	4xø8
2600002052	KOCU-F 20-2	20	76	75	46	2	30	55	60	15	28	24	4xM10	4xø8
2600002053	KOCU-F 20-3	20	76	75	46	3	30	55	60	15	28	24	4xM10	4xø8
2600002054	KOCU-F 20-4	20	76	75	46	4	30	55	60	15	28	24	4xM10	4xø8
2600002055	KOCU-F 20-5	20	76	75	46	5	30	55	60	15	28	24	4xM10	4xø8
2600002056	KOCU-F 20-6	20	76	75	46	6	30	55	60	15	28	24	4xM10	4xø8
2600002057	KOCU-F 20-7	20	76	75	46	7	30	55	60	15	28	24	4xM10	4xø8
2600002058	KOCU-F 20-8	20	76	75	46	8	30	55	60	15	28	24	4xM10	4xø8
2600002059	KOCU-F 20-9	20	76	75	46	9	30	55	60	15	28	24	4xM10	4xø8
26000020510	KOCU-F 20-10	20	76	75	46	10	30	55	60	15	28	24	4xM10	4xø8
260000255	KOCU-F 25-0	25	81	85	48	0	40	65	65	17,5	33	26	4xM10	4xø8
2600002551	KOCU-F 25-1	25	81	85	48	1	40	65	65	17,5	33	26	4xM10	4xø8
2600002552	KOCU-F 25-2	25	81	85	48	2	40	65	65	17,5	33	26	4xM10	4xø8
2600002553	KOCU-F 25-3	25	81	85	48	3	40	65	65	17,5	33	26	4xM10	4xø8
2600002554	KOCU-F 25-4	25	81	85	48	4	40	65	65	17,5	33	26	4xM10	4xø8
2600002555	KOCU-F 25-5	25	81	85	48	5	40	65	65	17,5	33	26	4xM10	4xø8
2600002556	KOCU-F 25-6	25	81	85	48	6	40	65	65	17,5	33	26	4xM10	4xø8
2600002557	KOCU-F 25-7	25	81	85	48	7	40	65	65	17,5	33	26	4xM10	4xø8
2600002558	KOCU-F 25-8	25	81	85	48	8	40	65	65	17,5	33	26	4xM10	4xø8
2600002559	KOCU-F 25-9	25	81	85	48	9	40	65	65	17,5	33	26	4xM10	4xø8
26000025510	KOCU-F 25-10	25	81	85	48	10	40	65	65	17,5	33	26	4xM10	4xø8
260000305	KOCU-F 30-0	30	88	100	54	0	50	80	72	19	38	30	4xM10	4xø8
2600003051	KOCU-F 30-1	30	88	100	54	1	50	80	72	19	38	30	4xM10	4xø8
2600003052	KOCU-F 30-2	30	88	100	54	2	50	80	72	19	38	30	4xM10	4xø8
2600003053	KOCU-F 30-3	30	88	100	54	3	50	80	72	19	38	30	4xM10	4xø8

KOCU-F

Inclined ejector unit with angeled sliding surface



Articlenumber	Article name	Bolt diameter D	Width W	Length L	Height H	Angle a	I1	I2	I3	I4	I5	I6	M (ISO 4762)	P (ISO 8734)
2600003054	KOCU-F 30-4	30	88	100	54	4	50	80	72	19	38	30	4xM10	4xø8
2600003055	KOCU-F 30-5	30	88	100	54	5	50	80	72	19	38	30	4xM10	4xø8
2600003056	KOCU-F 30-6	30	88	100	54	6	50	80	72	19	38	30	4xM10	4xø8
2600003057	KOCU-F 30-7	30	88	100	54	7	50	80	72	19	38	30	4xM10	4xø8
2600003058	KOCU-F 30-8	30	88	100	54	8	50	80	72	19	38	30	4xM10	4xø8
2600003059	KOCU-F 30-9	30	88	100	54	9	50	80	72	19	38	30	4xM10	4xø8
260000306	KOCU-F 30-10	30	88	100	54	10	50	80	72	19	38	30	4xM10	4xø8
260000355	KOCU-F 35-0	35	100	115	60	0	50	85	80	20	44	34	4xM12	4xø10
2600003551	KOCU-F 35-1	35	100	115	60	1	50	85	80	20	44	34	4xM12	4xø10
2600003552	KOCU-F 35-2	35	100	115	60	2	50	85	80	20	44	34	4xM12	4xø10
2600003553	KOCU-F 35-3	35	100	115	60	3	50	85	80	20	44	34	4xM12	4xø10
2600003554	KOCU-F 35-4	35	100	115	60	4	50	85	80	20	44	34	4xM12	4xø10
2600003555	KOCU-F 35-5	35	100	115	60	5	50	85	80	20	44	34	4xM12	4xø10
2600003556	KOCU-F 35-6	35	100	115	60	6	50	85	80	20	44	34	4xM12	4xø10
2600003557	KOCU-F 35-7	35	100	115	60	7	50	85	80	20	44	34	4xM12	4xø10
2600003558	KOCU-F 35-8	35	100	115	60	8	50	85	80	20	44	34	4xM12	4xø10
2600003559	KOCU-F 35-9	35	100	115	60	9	50	85	80	20	44	34	4xM12	4xø10
260000356	KOCU-F 35-10	35	100	115	60	10	50	85	80	20	44	34	4xM12	4xø10
260000405	KOCU-F 40-0	40	108	125	65	0	50	85	88	21,5	50	38	4xM12	4xø10
2600004051	KOCU-F 40-1	40	108	125	65	1	50	85	88	21,5	50	38	4xM12	4xø10
2600004052	KOCU-F 40-2	40	108	125	65	2	50	85	88	21,5	50	38	4xM12	4xø10
2600004053	KOCU-F 40-3	40	108	125	65	3	50	85	88	21,5	50	38	4xM12	4xø10
2600004054	KOCU-F 40-4	40	108	125	65	4	50	85	88	21,5	50	38	4xM12	4xø10
2600004055	KOCU-F 40-5	40	108	125	65	5	50	85	88	21,5	50	38	4xM12	4xø10
2600004056	KOCU-F 40-6	40	108	125	65	6	50	85	88	21,5	50	38	4xM12	4xø10
2600004057	KOCU-F 40-7	40	108	125	65	7	50	85	88	21,5	50	38	4xM12	4xø10
2600004058	KOCU-F 40-8	40	108	125	65	8	50	85	88	21,5	50	38	4xM12	4xø10
2600004059	KOCU-F 40-9	40	108	125	65	9	50	85	88	21,5	50	38	4xM12	4xø10
260000406	KOCU-F 40-10	40	108	125	65	10	50	85	88	21,5	50	38	4xM12	4xø10