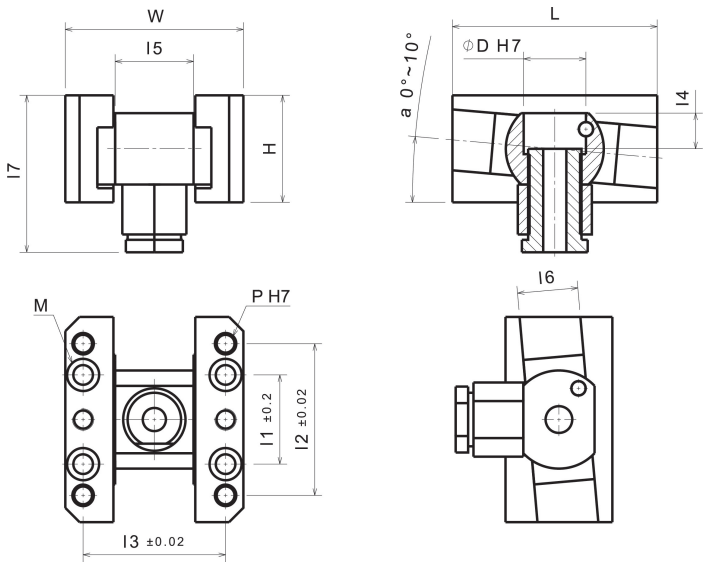


KOCU-M

Inclined ejector unit with additional angeled sliding faces



Product discription:

Inclined ejector unit with additional angeled sliding faces

Article properties:

Self-lubricating	Yes
Lubricant	Graphite

Variants:

Articlenumber	Article name	Bolt diameter D	Width W	Length L	Height H	Angle a	I1	I2	I3	I4	I5	I6	I7	M (ISO 4762)	P (ISO 8734)
260000168	KOCU-M 16-0	16	64	70	40	0	25	50	50	15	21	24	73	4xM8	4xø6
260000169	KOCU-M 16-1	16	64	70	40	1	25	50	50	15	21	24	73	4xM8	4xø6
260000170	KOCU-M 16-2	16	64	70	40	2	25	50	50	15	21	24	73	4xM8	4xø6
260000171	KOCU-M 16-3	16	64	70	40	3	25	50	50	15	21	24	73	4xM8	4xø6
260000172	KOCU-M 16-4	16	64	70	40	4	25	50	50	15	21	24	73	4xM8	4xø6
260000173	KOCU-M 16-5	16	64	70	40	5	25	50	50	15	21	24	73	4xM8	4xø6
260000174	KOCU-M 16-6	16	64	70	40	6	25	50	50	15	21	24	73	4xM8	4xø6
260000175	KOCU-M 16-7	16	64	70	40	7	25	50	50	15	21	24	73	4xM8	4xø6
260000176	KOCU-M 16-8	16	64	70	40	8	25	50	50	15	21	24	73	4xM8	4xø6
260000177	KOCU-M 16-9	16	64	70	40	9	25	50	50	15	21	24	73	4xM8	4xø6
260000167	KOCU-M 16-10	16	64	70	40	10	25	50	50	15	21	24	73	4xM8	4xø6
260000208	KOCU-M 20-0	20	76	75	46	0	30	55	60	18	28	24	81	4xM10	4xø8
260000209	KOCU-M 20-1	20	76	75	46	1	30	55	60	18	28	24	81	4xM10	4xø8
260000210	KOCU-M 20-2	20	76	75	46	2	30	55	60	18	28	24	81	4xM10	4xø8
260000211	KOCU-M 20-3	20	76	75	46	3	30	55	60	18	28	24	81	4xM10	4xø8
260000212	KOCU-M 20-4	20	76	75	46	4	30	55	60	18	28	24	81	4xM10	4xø8
260000213	KOCU-M 20-5	20	76	75	46	5	30	55	60	18	28	24	81	4xM10	4xø8
260000214	KOCU-M 20-6	20	76	75	46	6	30	55	60	18	28	24	81	4xM10	4xø8
260000215	KOCU-M 20-7	20	76	75	46	7	30	55	60	18	28	24	81	4xM10	4xø8
260000216	KOCU-M 20-8	20	76	75	46	8	30	55	60	18	28	24	81	4xM10	4xø8
260000217	KOCU-M 20-9	20	76	75	46	9	30	55	60	18	28	24	81	4xM10	4xø8
260000207	KOCU-M 20-10	20	76	75	46	10	30	55	60	18	28	24	81	4xM10	4xø8
260000258	KOCU-M 25-0	25	81	85	48	0	40	65	65	20,5	33	26	88	4xM10	4xø8
260000259	KOCU-M 25-1	25	81	85	48	1	40	65	65	20,5	33	26	88	4xM10	4xø8
260000260	KOCU-M 25-2	25	81	85	48	2	40	65	65	20,5	33	26	88	4xM10	4xø8
260000261	KOCU-M 25-3	25	81	85	48	3	40	65	65	20,5	33	26	88	4xM10	4xø8

KOCU-M

Inclined ejector unit with additional angeled sliding faces



Articlenumber	Article name	Bolt diameter D	Width W	Length L	Height H	Angle a	I1	I2	I3	I4	I5	I6	I7	M (ISO 4762)	P (ISO 8734)
260000262	KOCU-M 25-4	25	81	85	48	4	40	65	65	20,5	33	26	88	4xM10	4xø8
260000263	KOCU-M 25-5	25	81	85	48	5	40	65	65	20,5	33	26	88	4xM10	4xø8
260000264	KOCU-M 25-6	25	81	85	48	6	40	65	65	20,5	33	26	88	4xM10	4xø8
260000265	KOCU-M 25-7	25	81	85	48	7	40	65	65	20,5	33	26	88	4xM10	4xø8
260000266	KOCU-M 25-8	25	81	85	48	8	40	65	65	20,5	33	26	88	4xM10	4xø8
260000267	KOCU-M 25-9	25	81	85	48	9	40	65	65	20,5	33	26	88	4xM10	4xø8
260000257	KOCU-M 25-10	25	81	85	48	10	40	65	65	20,5	33	26	88	4xM10	4xø8
260000308	KOCU-M 30-0	30	88	100	54	0	50	80	72	22	38	30	97	4xM10	4xø8
260000309	KOCU-M 30-1	30	88	100	54	1	50	80	72	22	38	30	97	4xM10	4xø8
260000310	KOCU-M 30-2	30	88	100	54	2	50	80	72	22	38	30	97	4xM10	4xø8
260000311	KOCU-M 30-3	30	88	100	54	3	50	80	72	22	38	30	97	4xM10	4xø8
260000312	KOCU-M 30-4	30	88	100	54	4	50	80	72	22	38	30	97	4xM10	4xø8
260000313	KOCU-M 30-5	30	88	100	54	5	50	80	72	22	38	30	97	4xM10	4xø8
260000314	KOCU-M 30-6	30	88	100	54	6	50	80	72	22	38	30	97	4xM10	4xø8
260000315	KOCU-M 30-7	30	88	100	54	7	50	80	72	22	38	30	97	4xM10	4xø8
260000316	KOCU-M 30-8	30	88	100	54	8	50	80	72	22	38	30	97	4xM10	4xø8
260000317	KOCU-M 30-9	30	88	100	54	9	50	80	72	22	38	30	97	4xM10	4xø8
260000307	KOCU-M 30-10	30	88	100	54	10	50	80	72	22	38	30	97	4xM10	4xø8
260000358	KOCU-M 35-0	35	100	115	60	0	50	85	80	23	44	34	103	4xM12	4xø10
260000359	KOCU-M 35-1	35	100	115	60	1	50	85	80	23	44	34	103	4xM12	4xø10
260000360	KOCU-M 35-2	35	100	115	60	2	50	85	80	23	44	34	103	4xM12	4xø10
260000361	KOCU-M 35-3	35	100	115	60	3	50	85	80	23	44	34	103	4xM12	4xø10
260000362	KOCU-M 35-4	35	100	115	60	4	50	85	80	23	44	34	103	4xM12	4xø10
260000363	KOCU-M 35-5	35	100	115	60	5	50	85	80	23	44	34	103	4xM12	4xø10
260000364	KOCU-M 35-6	35	100	115	60	6	50	85	80	23	44	34	103	4xM12	4xø10
260000365	KOCU-M 35-7	35	100	115	60	7	50	85	80	23	44	34	103	4xM12	4xø10
260000366	KOCU-M 35-8	35	100	115	60	8	50	85	80	23	44	34	103	4xM12	4xø10
260000367	KOCU-M 35-9	35	100	115	60	9	50	85	80	23	44	34	103	4xM12	4xø10
260000357	KOCU-M 35-10	35	100	115	60	10	50	85	80	23	44	34	103	4xM12	4xø10
260000408	KOCU-M 40-0	40	108	125	65	0	50	85	88	24,5	50	38	112	4xM12	4xø10
260000409	KOCU-M 40-1	40	108	125	65	1	50	85	88	24,5	50	38	112	4xM12	4xø10
260000410	KOCU-M 40-2	40	108	125	65	2	50	85	88	24,5	50	38	112	4xM12	4xø10
260000411	KOCU-M 40-3	40	108	125	65	3	50	85	88	24,5	50	38	112	4xM12	4xø10
260000412	KOCU-M 40-4	40	108	125	65	4	50	85	88	24,5	50	38	112	4xM12	4xø10
260000413	KOCU-M 40-5	40	108	125	65	5	50	85	88	24,5	50	38	112	4xM12	4xø10
260000414	KOCU-M 40-6	40	108	125	65	6	50	85	88	24,5	50	38	112	4xM12	4xø10
260000415	KOCU-M 40-7	40	108	125	65	7	50	85	88	24,5	50	38	112	4xM12	4xø10
260000416	KOCU-M 40-8	40	108	125	65	8	50	85	88	24,5	50	38	112	4xM12	4xø10
260000417	KOCU-M 40-9	40	108	125	65	9	50	85	88	24,5	50	38	112	4xM12	4xø10
260000407	KOCU-M 40-10	40	108	125	65	10	50	85	88	24,5	50	38	112	4xM12	4xø10