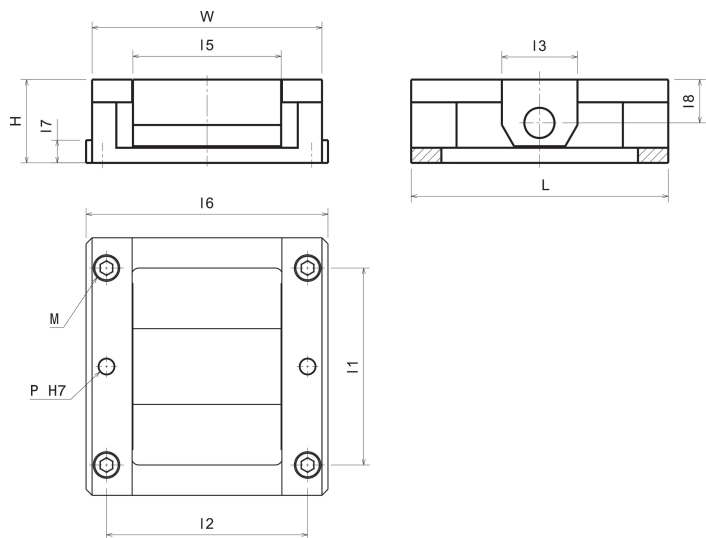


KOCU-S2

Inclined ejector unit, double holder



Product discription:

Inclined ejector unit, double holder

Article properties:

Self-lubricating	Yes
Lubricant	Graphite

Variants:

Articlenumber	Article name	Width W	Length L	Height H	I1	I2	I3	I5	I6	I7	I8	M (ISO 4762)	P (ISO 8734)	Stroke
26002012	KOCU-S2-12	74	70	32	50	62	25	40	80	7	18	4xM6	2xø6	20
26002020	KOCU-S2-20	114	120	42	92	98	40	68	122	11	23	4xM8	2xø8	40
26002030	KOCU-S2-30	152	170	55	130	133	50	98	160	15	30	4xM10	2xø10	60
26002035	KOCU-S2-35	170	190	62	140	149	60	108	180	15	35	4xM12	2xø10	70