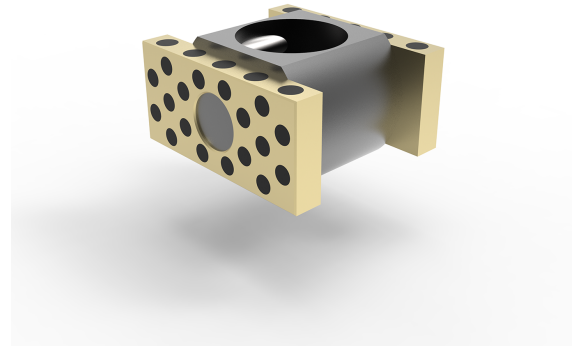
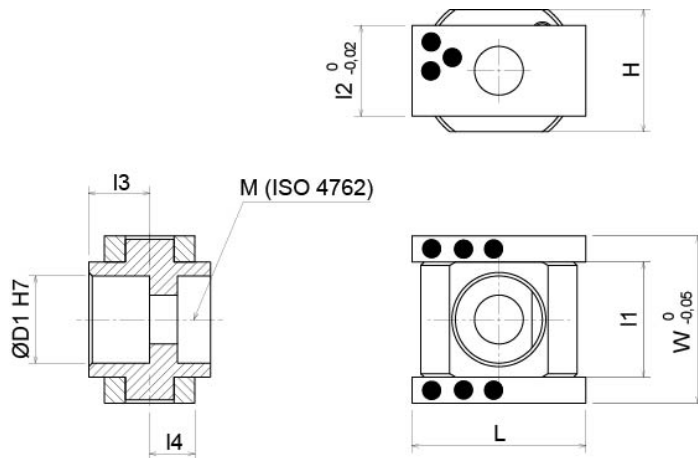


# KPH-F

Slide part for ejector core unit



## Product discription:

Slide part for ejector core unit

## Article properties:

Self-lubricating	Yes
Sliding speed v	30 m/min
P*v-value	200 N/mm <sup>2</sup> x m/min
Lubricant	Graphite
Base Material	Steel
Friction coefficient	0,07
Operating temperature	-50°C / +200°C (max. 300°C)
Surface Pressure P	100 N/mm <sup>2</sup>

## Variants:

Articlenumber	Article name	Width W	Length L	Height H	D1	I1	I2	I3	I4	M (ISO 4762)
26007008	KPH-F 8	24	25	16	8	12	13	8	6,5	M4
26007010	KPH-F 10	28	32	16	10	14	17	8	8,5	M5
26007012	KPH-F 12	31	40	20	12	17	20	10	10	M6
26007016	KPH-F 16	36	45	24	16	21	24	12	12	M8
26007020	KPH-F 20	43	45	30	20	28	24	15	12	M10
26007025	KPH-F 25	48	50	35	25	33	26	17,5	13	M12
26007030	KPH-F 30	55	60	38	30	38	30	19	15	M12
26007035	KPH-F 35	64	70	40	35	44	34	20	17	M12
26007040	KPH-F 40	72	80	43	40	50	38	21,5	19	M16