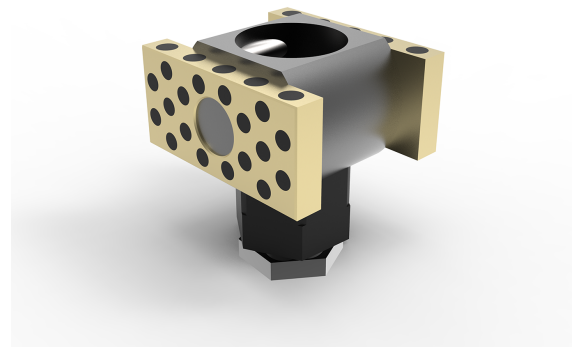
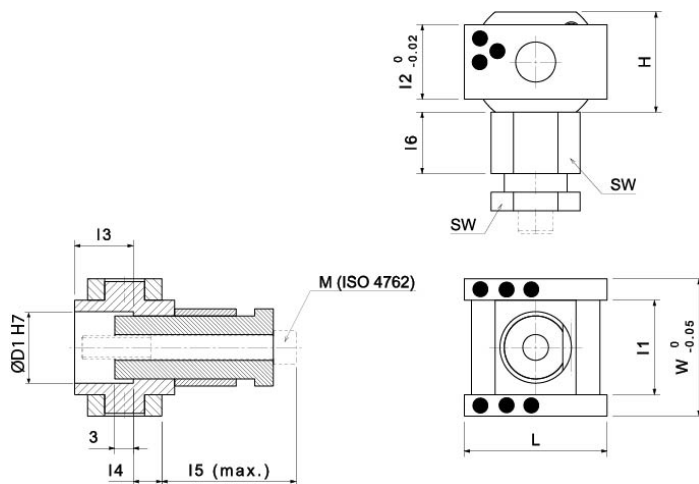


KPH-M

Slide part for ejector core unit with adjustment screw



Product description:

Slide part for ejector core unit with adjustment screw

Article properties:

Self-lubricating	Yes
Sliding speed v	30 m/min
P*v-value	200 N/mm ² x m/min
Lubricant	Graphite
Friction coefficient	0,07
Operating temperature	-50°C / +200°C (max. 300°C)
Surface Pressure P	100 N/mm ²
Base Material	Stahl (Bolzenaufnahme)

Variants:

Articlenumber	Article name	Width W	Length L	Height H	D1	I1	I2	I3	I4	I5	I6	SW	M (ISO 4762)
26008016	KPH-M 16	36	45	24	16	21	24	15	9	41	21	14 / 17	M8
26008020	KPH-M 20	43	45	30	20	28	24	18	9	46	21	19 / 22	M10
26008025	KPH-M 25	48	50	35	25	33	26	20,5	10	51	21,5	22 / 27	M12
26008030	KPH-M 30	55	60	38	30	38	30	22	12	55	26	27 / 32	M12
26008035	KPH-M 35	64	70	40	35	44	34	23	14	56	28	32 / 36	M12
26008040	KPH-M 40	72	80	43	40	50	38	24,5	16	60,5	29	38 / 41	M16