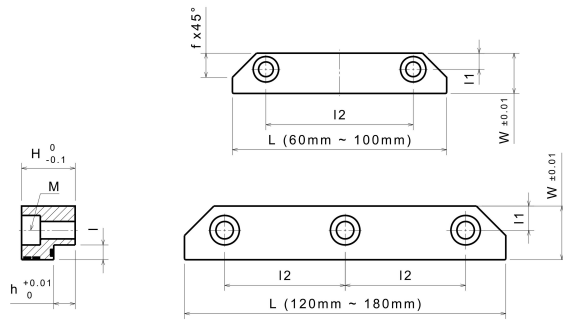


# SGL-BS

L-shaped Plates, bronze with solid lubricant



## Product description:

L-shaped Plates, bronze with solid lubricant

## Article properties:

Sliding speed v	30 m/min
Base Material	Special Brass (SO#50SP2)
Self-lubricating	Yes
Lubricant	Graphite
Surface Pressure P	100 N/mm <sup>2</sup>
P*v-value	200 N/mm <sup>2</sup> x m/min
Operating temperature	-50°C / +200°C (max. 300°C)
Friction coefficient	0,07

## Variants:

Articlenumber	Article name	Width W	Length L	Height H	h	l	l1	I2	f	M (ISO 4762)
21303600	SGL-BS 15-60-15	15	60	15	8	4,5	6	20	9	2xM5
21303601	SGL-BS 15-80-15	15	80	15	8	4,5	6	55	9	2xM5
21303602	SGL-BS 15-100-15	15	100	15	8	4,5	6	75	9	2xM5
21303603	SGL-BS 20-60-20	20	60	20	8	5,5	9	20	11	2xM6
21303604	SGL-BS 20-80-20	20	80	20	8	5,5	9	50	11	2xM6
21303605	SGL-BS 20-100-20	20	100	20	8	5,5	9	70	11	2xM6
21303606	SGL-BS 20-120-20	20	120	20	8	5,5	9	45	11	3xM6
21303607	SGL-BS 25-80-25	25	80	25	10	7,5	9	45	13	2xM8
21303608	SGL-BS 25-100-25	25	100	25	10	7,5	9	65	13	2xM8
21303609	SGL-BS 25-120-25	25	120	25	10	7,5	9	42,5	13	3xM8
21303610	SGL-BS 25-140-25	25	140	25	10	7,5	9	52,5	13	3xM8
21303611	SGL-BS 30-120-30	30	120	30	15	11	11	40	16	3xM10
21303612	SGL-BS 30-140-30	30	140	30	15	11	11	50	16	3xM10
21303613	SGL-BS 30-160-30	30	160	30	15	11	11	60	16	3xM10
21303614	SGL-BS 30-180-30	30	180	30	15	11	11	70	16	3xM10